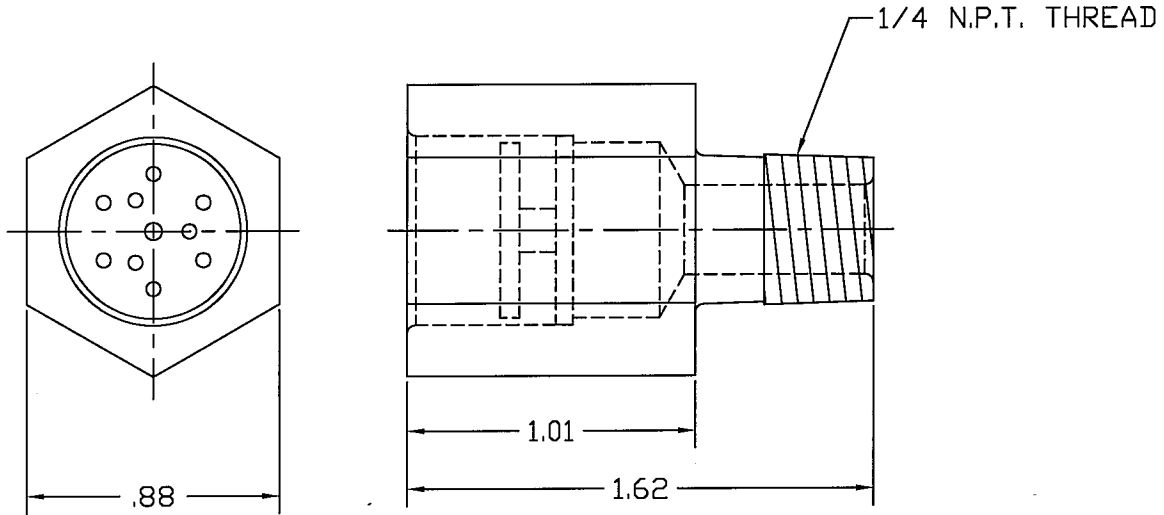


PART NO.
A001

LETTER	DATE	REVISION	BY



EPIC MASTER
DATE: 9-1-99

EPIC MACHINE INC.
201 INDUSTRIAL WAY
FENTON, MI 48430
(810) 629-9400

B.T.U. OUTPUT 5000
AT 5" WATER COLUMN

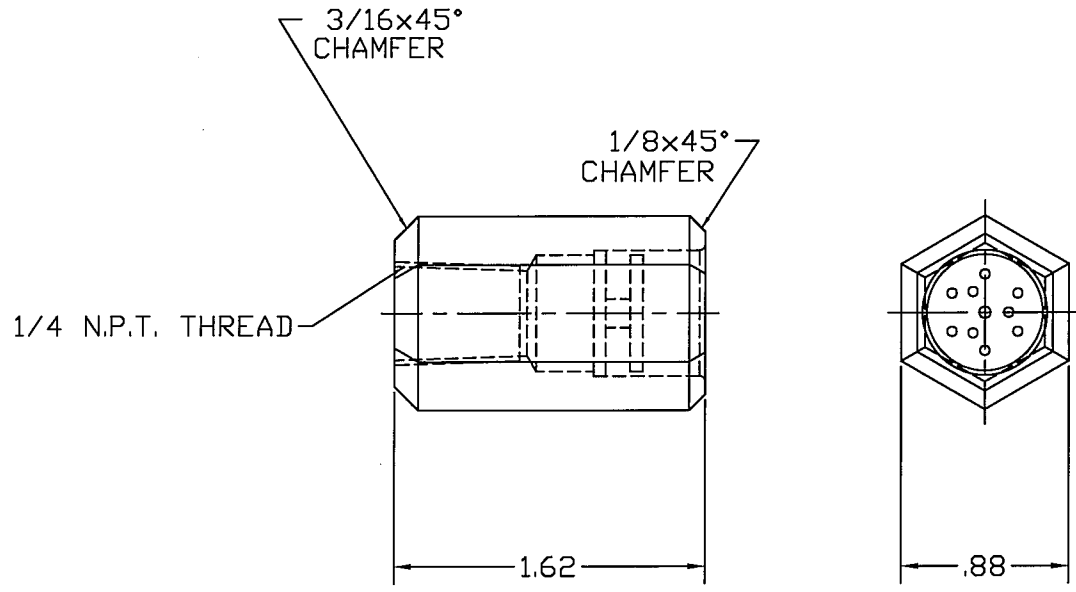
E EPIC MACHINE INC.
FENTON, MI 48430

PART NAME
NATURAL & PROPANE
BURNER

DWN. RW	CHKD. DW	SCALE Full	DATE 8/27/97
PART NO. A001		FILE NO. A001	


PART NO.
A002

LETTER	DATE	REVISION	BY



EPIC MASTER
DATE: 9-1-99

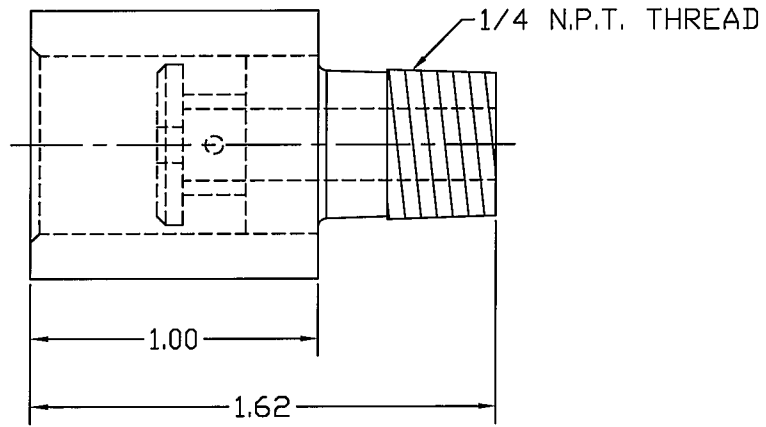
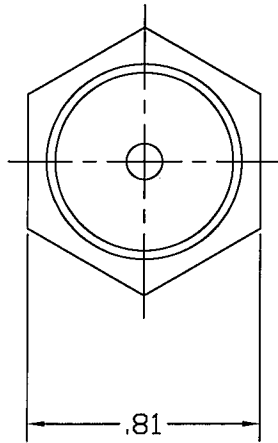
BTU OUTPUT 5000
@ 5" WATER COLUMN

 EPIC MACHINE INC. FENTON, MI 48430			
PART NAME NATURAL & PROPANE BURNER			
DWN. RW	CHKD. DW	SCALE Full	DATE 8/27/97
PART NO. A002		FILE NO. A002	

EPIC MACHINE INC.
201 INDUSTRIAL WAY
FENTON, MI 48430
(810) 629-9400

PART NO.
A003

LETTER	DATE	REVISION	BY



EPIC MASTER
DATE: 9-1-99

EPIC MACHINE INC.
201 INDUSTRIAL WAY
FENTON, MI 48430
(810) 629-9400

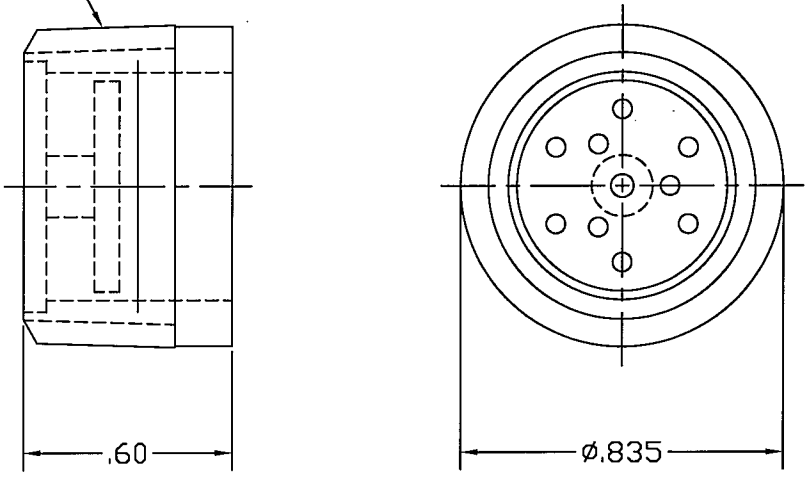
BTU OUTPUT, 7000
@ 5" WATER COLUMN

E EPIC MACHINE INC. FENTON, MI 48430			
PART NAME NATURAL & PROPANE BURNER			
DWN. RW	CHKD. DW	SCALE Full	DATE 8/27/97
PART NO. A003		FILE NO. A003	

PART NO. A100

LETTER	DATE	REVISION	BY

1/2" NPT THREAD



BTU OUTPUT 5000
AT 5" WATER COLUMN

EPIC MASTER
DATE: 9-1-99

EPIC MACHINE INC.
201 INDUSTRIAL WAY
FENTON, MI 48430
(810) 629-9400

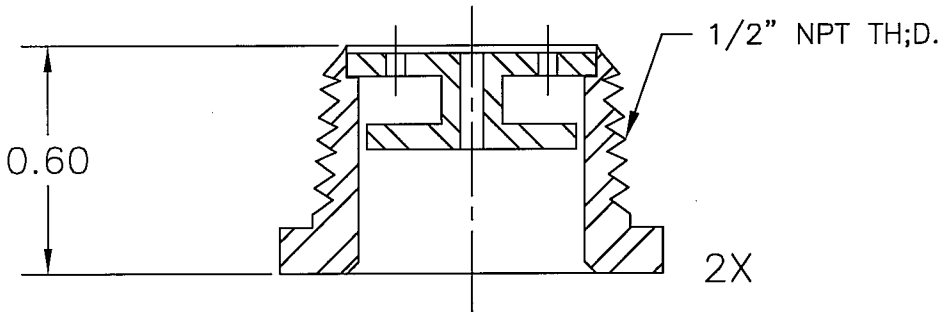
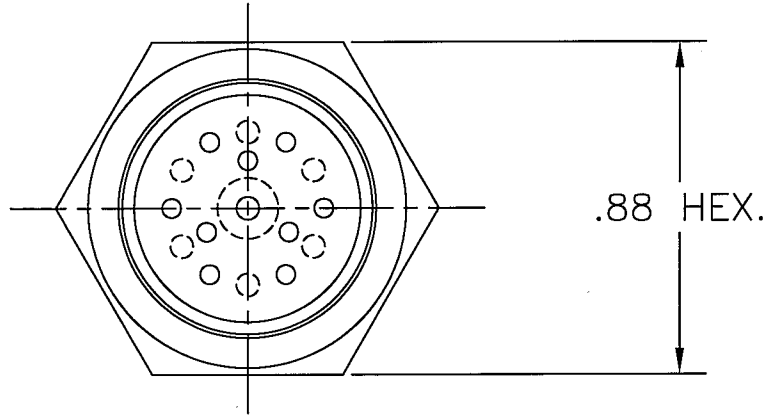
E EPIC MACHINE INC.
FENTON, MI 48430

PART NAME
NATURAL & PROPANE
BURNER

TOLERANCES UNLESS OTHERWISE SPECIFIED:		SHEET #	DWN.	CHKD.	SCALE	DATE
1 PLACE ± 0.3mm	1 PLACE ± 0.01	XX	RW	DW	Full	8/27/97
2 PLACE ± 0.08mm	2 PLACE ± 0.003	SHEETS	PART NO.		FILE NO.	
3 PLACE ± 0.015mm	3 PLACE ± 0.0005	XX	A100		A100	

PART NO. A200

LETTER	DATE	REVISION	BY



EPIC MASTER
DATE: 9-1-99

B.T.U. OUTPUT 5000 @ 5" WATER COLUMN

EPIC MACHINE INC.
201 INDUSTRIAL WAY
FENTON, MI 48430
(810) 629-9400

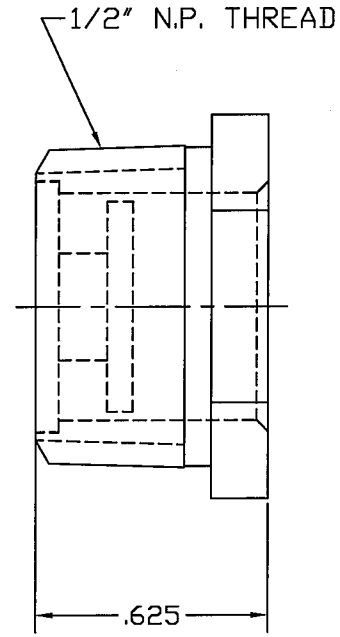
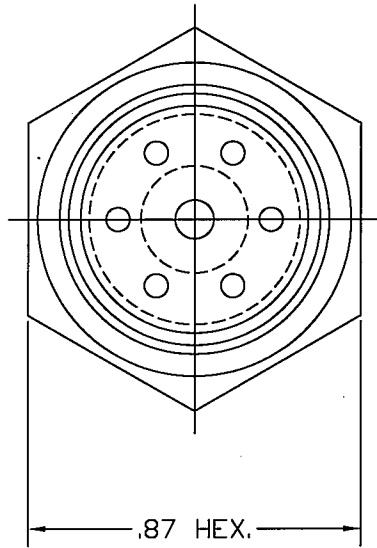
E EPIC MACHINE INC.
FENTON, MI 48430

PART NAME
NATURAL AND
PROPANE BURNER

TOLERANCES UNLESS OTHERWISE SPECIFIED:		SHEET #	DWN.	CHKD.	SCALE	DATE
MILLIMETERS		1	RW	XX	FULL	8-15-97
INCHES		SHEETS	PART NO.		FILE NO.	
1 PLACE ± 0.3mm	1 PLACE ± 0.01	1	A200		A200	
2 PLACE ± 0.08mm	2 PLACE ± 0.003					
3 PLACE ± 0.015mm	3 PLACE ± 0.0005					

PART NO.
A201


LETTER	DATE	REVISION	BY



EPIC MASTER
DATE: 9-1-99

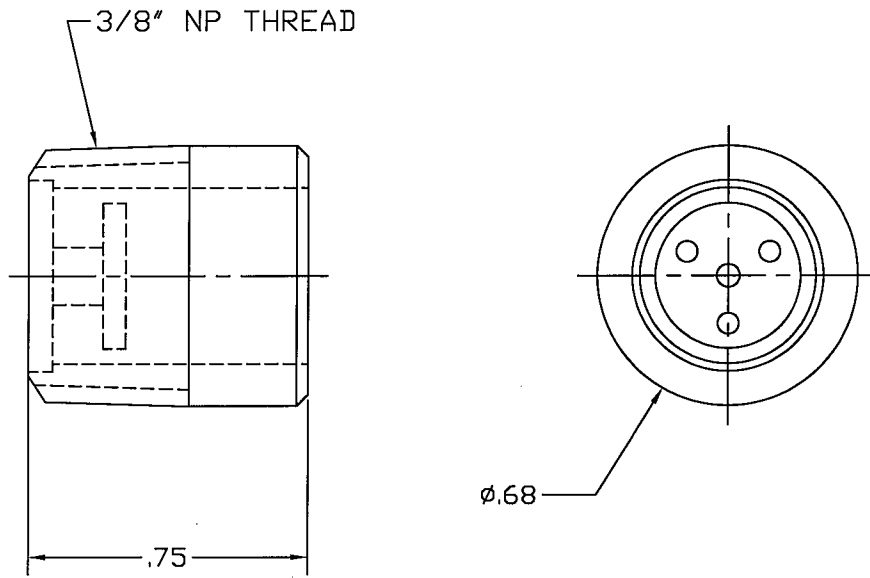
EPIC MACHINE INC.
201 INDUSTRIAL WAY
FENTON, MI 48430
(810) 629-9400

BTU OUTPUT 5000
AT 5" WATER COLUMN

 EPIC MACHINE INC. FENTON, MI 48430			
PART NAME NATURAL & PROPANE GAS BURNER			
DWN. RW	CHKD. DW	SCALE Full	DATE 8/27/97
PART NO. A201		FILE NO. A201	

PART NO.
A202

LETTER	DATE	REVISION	BY



EPIC MASTER
DATE: 9-1-99

BTU OUTPUT 2900
AT 5" WATER COLUMN

EPIC MACHINE INC.
201 INDUSTRIAL WAY
FENTON, MI 48430
(810) 629-9400

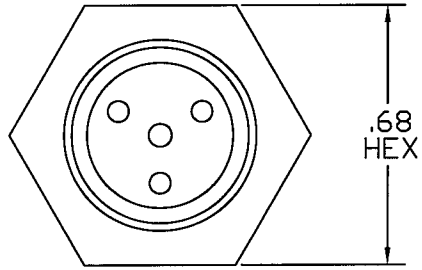
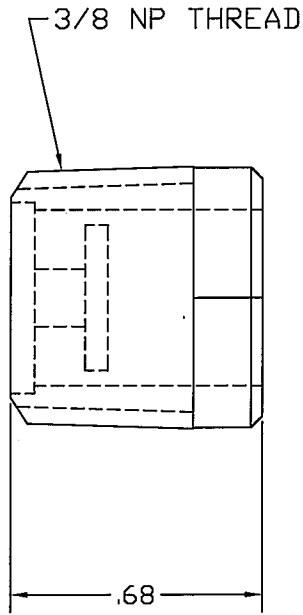
E EPIC MACHINE INC.
FENTON, MI 48430

PART NAME
NATURAL & PROPANE
GAS BURNER

DWN. RW	CHKD. DW	SCALE Full	DATE 8/27/97
PART NO. A202		FILE NO. A202	

PART NO.
A203

LETTER	DATE	REVISION	BY



EPIC MASTER
DATE: 9-1-99

BTU OUTPUT 2900
AT 5" WATER COLUMN

EPIC MACHINE INC.
201 INDUSTRIAL WAY
FENTON, MI 48430
(810) 629-9400

E EPIC MACHINE INC.
FENTON, MI 48430

PART NAME
NATURAL & PROPANE
BURNER

DWN. RW	CHKD. DW	SCALE Full	DATE 8/27/97
PART NO. A203		FILE NO. A203	