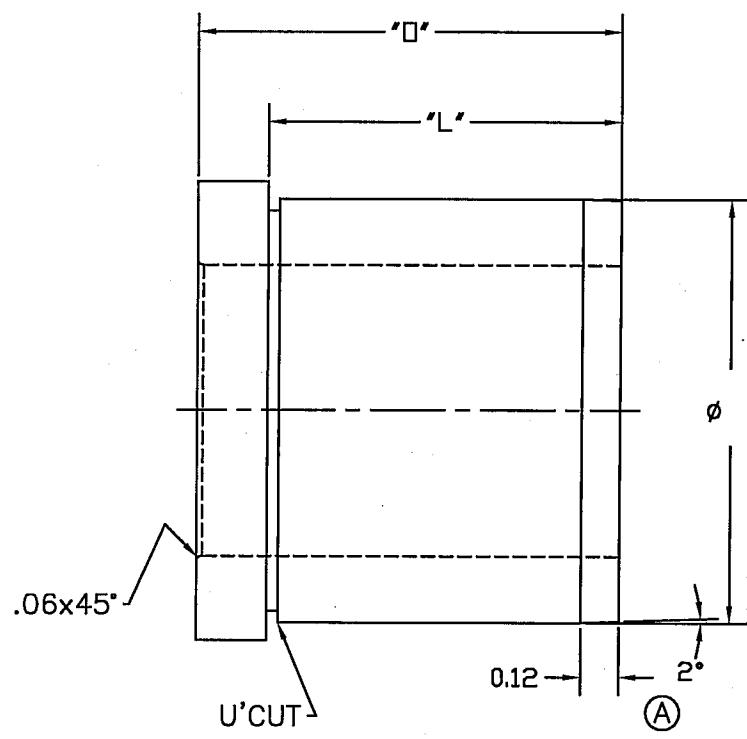
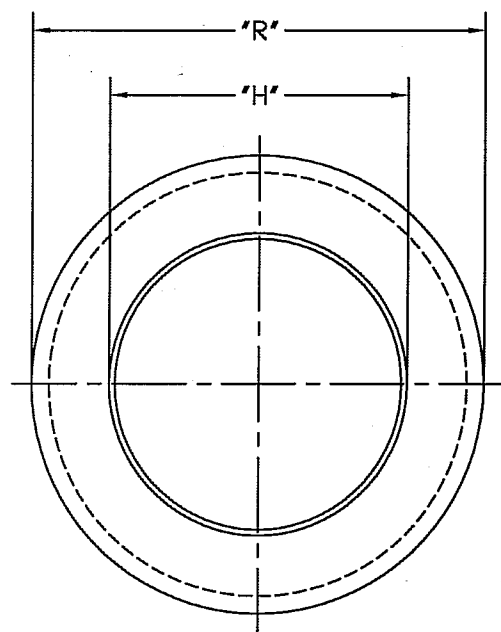


PART NO.
SEE LEGEND

LETTER	DATE	REVISION	BY

A 12/08 Was (step) Lead dw



EPIC MACHINE INC.
201 INDUSTRIAL WAY
FENTON, MI 48430
(810) 629-9400

H.T.: 60 Rc

EPIC MASTER
DATE: 9-1-99

Pin Size	Part No.	Diameter			H	L	O	R
		A	B	C				
7/8	A043	1.251	1.253	1.255	.875	.56	.68	1.37
1	A044	1.501	1.503	1.505	1.00	.87	1.00	1.62
1-1/4	A045	1.751	1.753	1.755	1.25	.87	1.00	1.87
1-1/2	A046	2.189	2.191	2.193	1.50	1.84	2.21	2.37

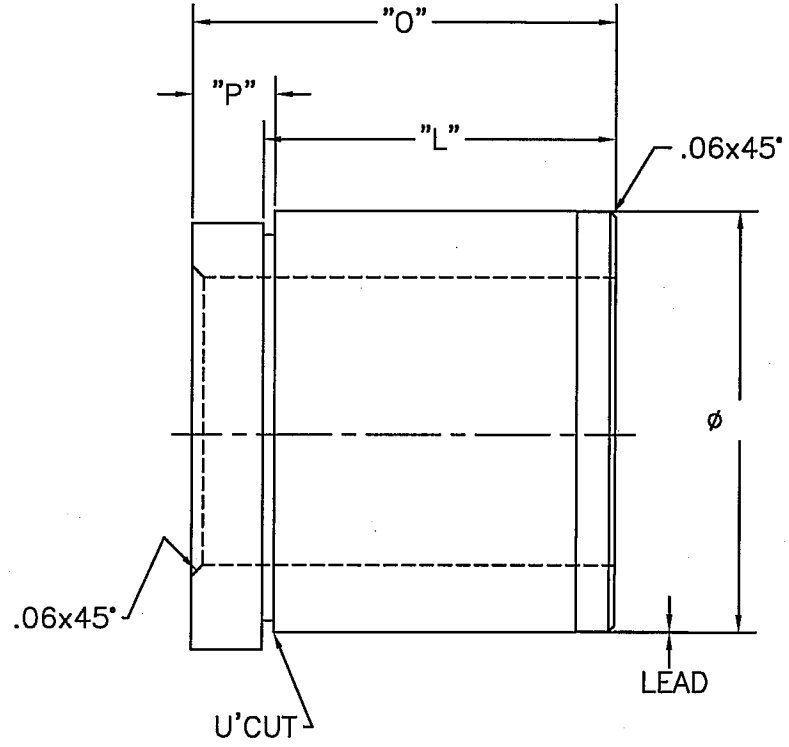
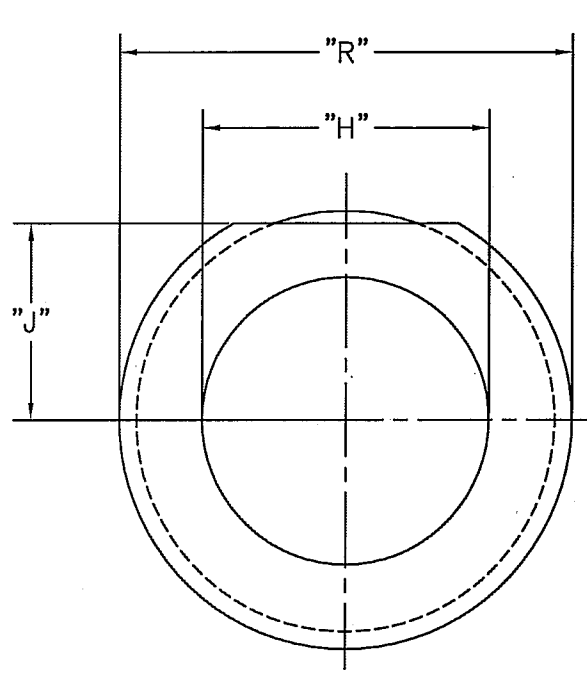
E EPIC MACHINE INC.
FENTON, MI 48430

PART NAME
ROUND BUSHINGS

DWN. RW	CHKD. DW	SCALE FULL	DATE 7/29/97
PART NO. SEE LEGEND		FILE NO. A046-A	

PART NO.
SEE LEGEND

LETTER	DATE	REVISION	BY



EPIC MACHINE INC.
201 INDUSTRIAL WAY
FENTON, MI 48430
(810) 629-9400

H.T.: 60 Rc

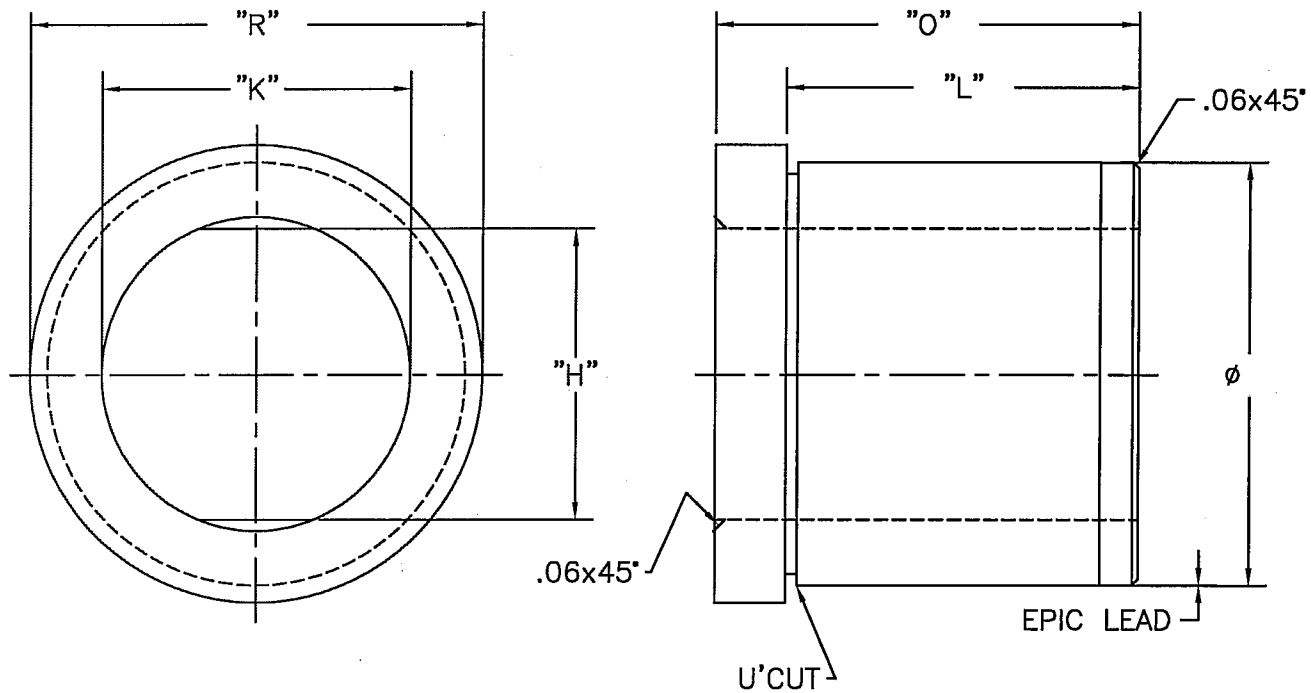
EPIC MASTER
DATE: 9-1-99

Working Size	Symbol	Diameter			H	J	L	O	P	R
		A	B	C						
7/8	A051	1.251	1.253	1.255	.875	.56	.56	.68	.20	1.37
1	A052	1.501	1.503	1.505	1.00	.68	.87	1.00	.20	1.62
1-1/4	A053	1.751	1.753	1.755	1.25	.81	.87	1.00	.20	1.87
1-1/2	A054	2.189	2.191	2.193	1.50	1.03	1.84	2.21	.43	2.37
1-1/2	A242	2.189	2.191	2.193	1.50	.95	1.84	2.21	.20	2.37

E	EPIC MACHINE INC.	
	FENTON, MI 48430	
PART NAME		ROUND BUSHINGS
DWN. RW	CHKD. DW	SCALE FULL
PART NO. SEE LEGEND		DATE 7/29/97
FILE NO. A054-A		

PART NO.
SEE LEGEND

LETTER	DATE	REVISION	BY



EPIC MACHINE INC.
201 INDUSTRIAL WAY
FENTON, MI 48430
(810) 629-9400

H.T.: -60 Rc

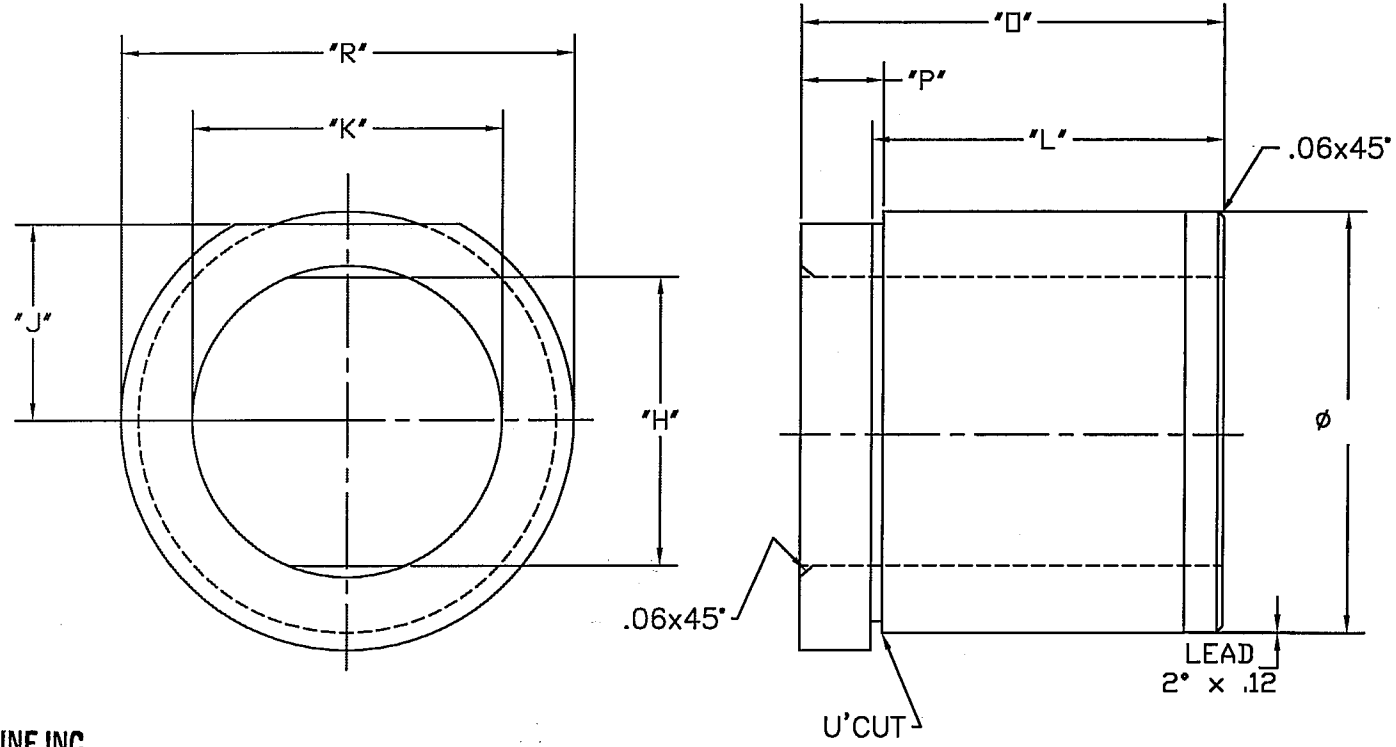
EPIC MASTER
DATE: 9-1-99

Pin Size	Part No.	Diameter			H	K	L	O	R
		A	B	C					
7/8	A047	1.251	1.253	1.255	.875	1.00	.56	.68	1.37
1	A048	1.501	1.503	1.505	1.00	1.12	.87	1.00	1.62
1-1/4	A049	1.751	1.753	1.755	1.25	1.37	.87	1.00	1.87
1-1/2	A050	2.189	2.191	2.193	1.50	1.62	1.84	2.21	2.37

E	EPIC MACHINE INC.	
	FENTON, MI 48430	
PART NAME		ELONGATED BUSHINGS
DWN. RW	CHKD. DW	SCALE FULL DATE 7/29/97
PART NO. SEE LEGEND		FILE NO. A050-A

PART NO.
SEE LEGEND

LETTER	DATE	REVISION	BY



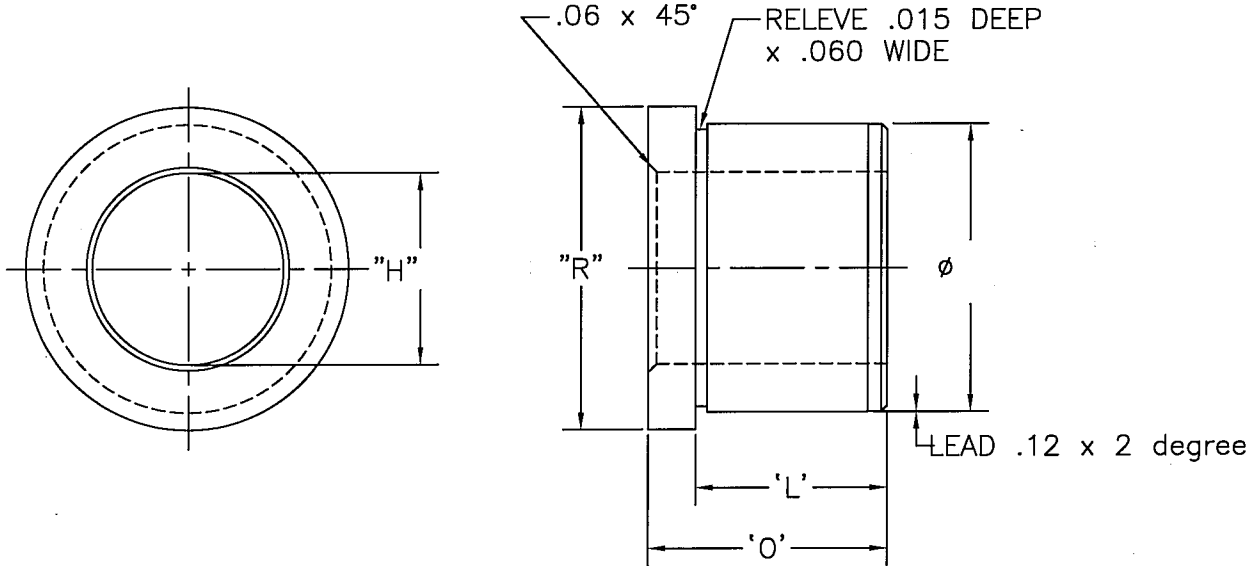
EPIC MACHINE INC.
201 INDUSTRIAL WAY
FENTON, MI 48430
(810) 629-9400

H.T.: -60 Rc

EPIC MASTER
DATE: 9-1-99

Working Size	Symbol	Diameter			H	J	K	L	O	P	R
		A	B	C							
7/8	A055	1.251	1.253	1.255	.875	.56	1.00	.56	.68	.20	1.37
1	A056	1.501	1.503	1.505	1.00	.68	1.12	.87	1.00	.20	1.62
1-1/4	A057	1.751	1.753	1.755	1.25	.81	1.37	.87	1.00	.20	1.87
1-1/2	A058	2.189	2.191	2.193	1.50	1.03	1.62	1.84	2.21	.43	2.37

E	EPIC MACHINE INC.	
	FENTON, MI 48430	
PART NAME		ELONGATED BUSHINGS
DWN. RW	CHKD. DW	SCALE FULL DATE 7/29/97
PART NO. SEE LEGEND		FILE NO. A058-C



EPIC MACHINE INC.
201 INDUSTRIAL WAY
FENTON, MI 48430
(810) 629-9400

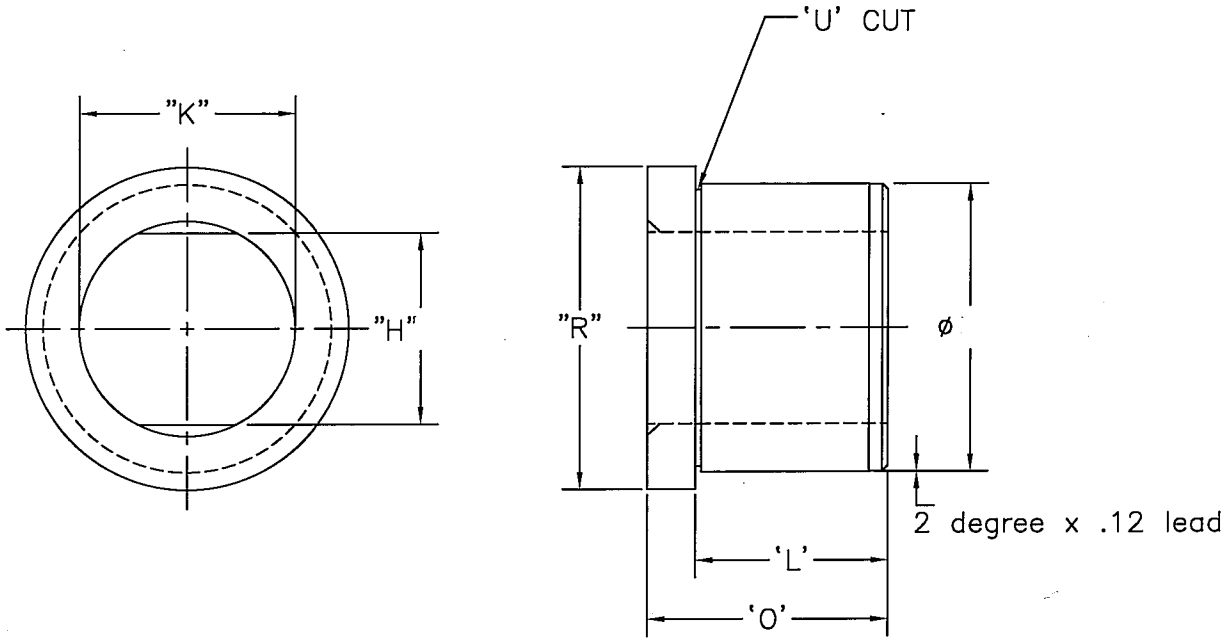
EPIC MASTER
DATE: 9-1-99

Working Size	Symbol	Diameter			H	L	O	R
		A	B	C				
5/8	F-2110	.876	.878	.880	.625	1/2	19/32	1
3/4	F-2121	1.1885	1.1905	1.1925	.750	5/8	3/4	1-5/16
7/8	F-2130	1.126	1.128	1.130	.875	13/16	1	1-1/4
7/8	F-2131	1.126	1.128	1.130	.875	7/8	1	1-1/4
1	F-2140	1.251	1.253	1.255	1.000	13/16	1	1-3/8
1	F-2141	1.251	1.253	1.255	1.000	7/8	1	1-3/8
1	F-2143	1.501	1.503	1.505	1.000	13/16	1	1-7/8
1	F-2144	1.501	1.503	1.505	1.000	7/8	1	1-11/16
1	F-2145	1.501	1.503	1.505	1.000	1	1-1/4	1-11/16
1-1/4	F-2160	1.626	1.628	1.630	1.250	7/8	1	1-3/4
1-1/2	F-2180	2.1895	2.1915	2.1935	1.500	1-27/32	2-7/32	2-3/8
1-1/2	F-2181	2.1895	2.1915	2.1935	1.500	1-3/4	2-1/8	2-3/8

E EPIC MACHINE INC. FENTON, MI 48430			
PART NAME ROUND FLASK BUSHINGS			
DWN. RW	CHKD. DW	SCALE FULL	DATE 7/28/97
PART NO. LEGEND		FILE NO. F-2145-C	
TOLERANCES UNLESS OTHERWISE SPECIFIED:			SHEET # XX
MILLIMETERS			INCHES
1 PLACE ± 0.3mm	2 PLACE ± 0.01	3 PLACE ± 0.003	SHEETS XX
2 PLACE ± 0.08mm	3 PLACE ± 0.003	4 PLACE ± 0.0005	
3 PLACE ± 0.015mm	4 PLACE ± 0.0005		

PART NO.
LEGEND


LETTER	DATE	REVISION	BY

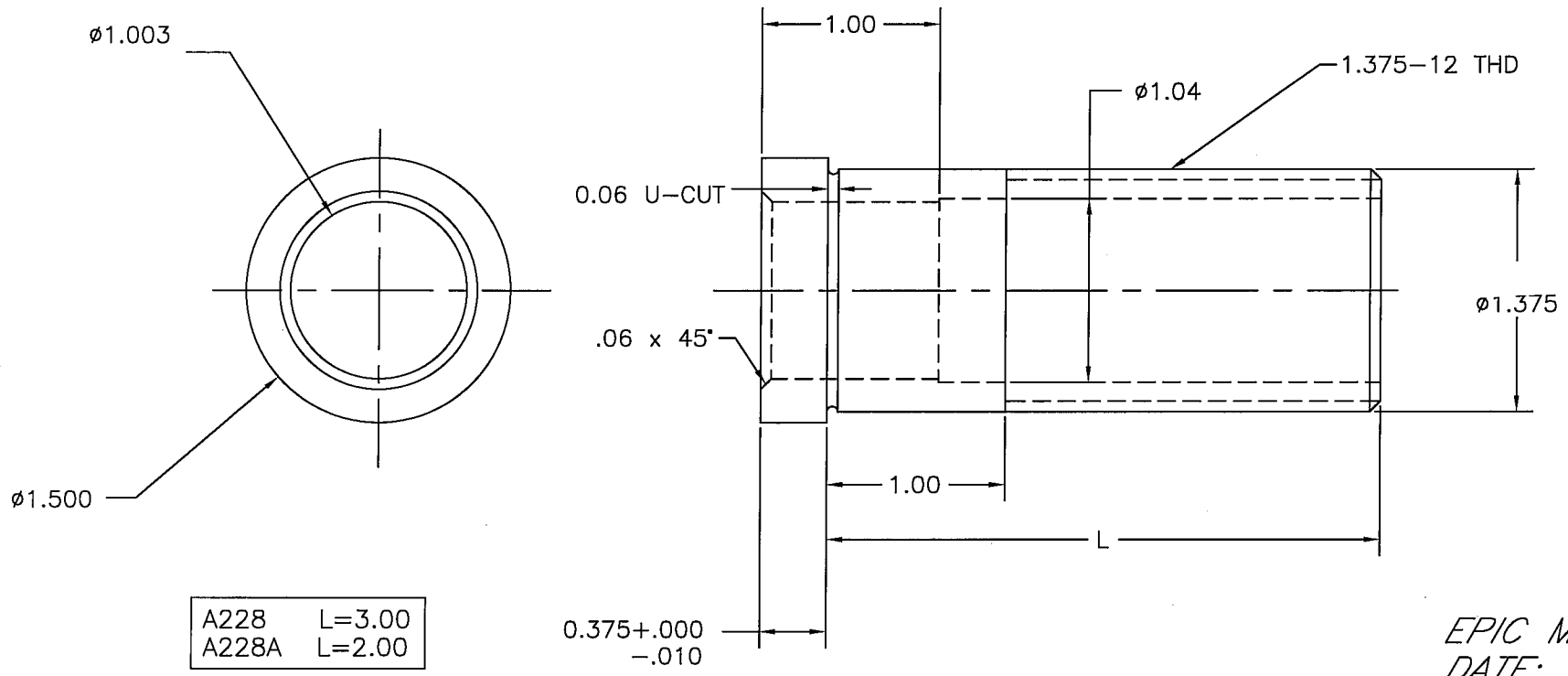


EPIC MACHINE INC.
201 INDUSTRIAL WAY
FENTON, MI 48430
(810) 629-9400

EPIC MASTER
DATE: 9-1-99

Working Size	Symbol	Diameter			H	K	L	O	R
		A	B	C					
5/8	F-2210	.876	.878	.880	.625	3/4	1/2	19/32	1
3/4	F-2221	1.1885	1.1905	1.1925	.750	15/16	5/8	3/4	1-5/16
7/8	F-2230	1.376	1.378	1.380	.875	1-1/8	13/16	1	1-9/16
7/8	F-2231	1.251	1.253	1.255	.875	1	7/8	1	1-3/8
1	F-2243	1.501	1.503	1.505	1.000	1-1/4	13/16	1	1-7/8
1	F-2244	1.501	1.503	1.505	1.000	1-1/8	7/8	1	1-11/16
1	F-2245	1.501	1.503	1.505	1.000	1-1/8	1	1-1/4	1-11/16
1-1/4	F-2260	1.751	1.753	1.755	1.250	1-3/8	7/8	1	1-7/8
1-1/2	F-2280	2.1895	2.1915	2.1935	1.500	1-5/8	1-27/32	2-7/32	2-3/8
1-1/2	F-2281	2.1895	2.1915	2.1935	1.500	1-3/4	1-3/4	2-1/8	2-3/8

 EPIC MACHINE INC. FENTON, MI 48430			
PART NAME ELONGATED FLASK BUSHINGS			
DWN. RW	CHKD. DW	SCALE FULL	DATE 7/29/97
PART NO. LEGEND		FILE NO. F-2245-C	
TOLERANCES UNLESS OTHERWISE SPECIFIED: MILLIMETERS INCHES			SHEET # XX
1 PLACE ± 0.3mm	2 PLACE ± 0.01	3 PLACE ± 0.003	SHEETS XX
2 PLACE ± 0.08mm	3 PLACE ± 0.0005	4 PLACE ± 0.0005	



A228	L=3.00
A228A	L=2.00

EPIC MASTER
DATE: 9-1-99

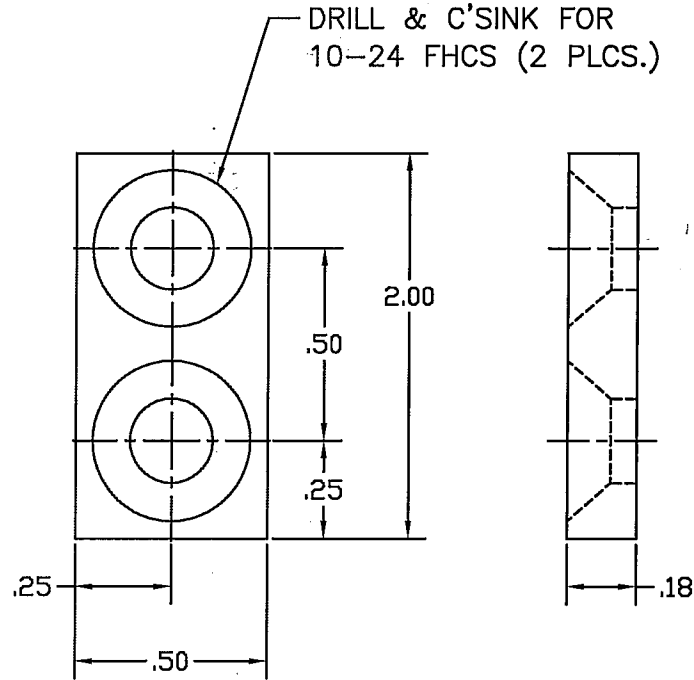
EPIC MACHINE INC.
201 INDUSTRIAL WAY
FENTON, MI 48430
(810) 629-9400

MAT'L: CAST IRON

E	EPIC MACHINE INC.	
	FENTON, MI 48430	
PART NAME		THREADED BUSHING
SHEET #	XX	DWN. BJ
SHEETS	XX	CHKD. XX
TOLERANCES UNLESS OTHERWISE SPECIFIED:		SCALE
MILLIMETERS		XXXX
INCHES		DATE
1 PLACE $\pm 0.3\text{mm}$		4-6-98
2 PLACE $\pm 0.08\text{mm}$		FILE NO.
3 PLACE $\pm 0.015\text{mm}$		A228
4 PLACE ± 0.0005		
PART NO.		LEGEND

PART NO.
A103

LETTER	DATE	REVISION	BY



MAT'L CRS

EPIC MASTER
DATE: 9-1-99

EPIC MACHINE INC.
201 INDUSTRIAL WAY
FENTON, MI 48430
(810) 629-9400

E EPIC MACHINE INC. FENTON, MI 48430			
PART NAME BUSHING LOCK			
DWN. RW	CHKD. DW	SCALE FULL	DATE 7/29/97
PART NO. A103		FILE NO. A103	